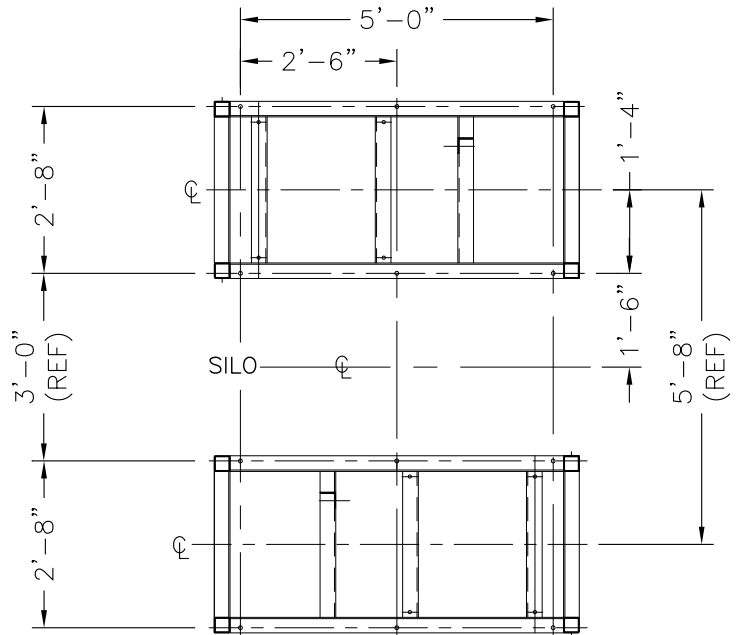
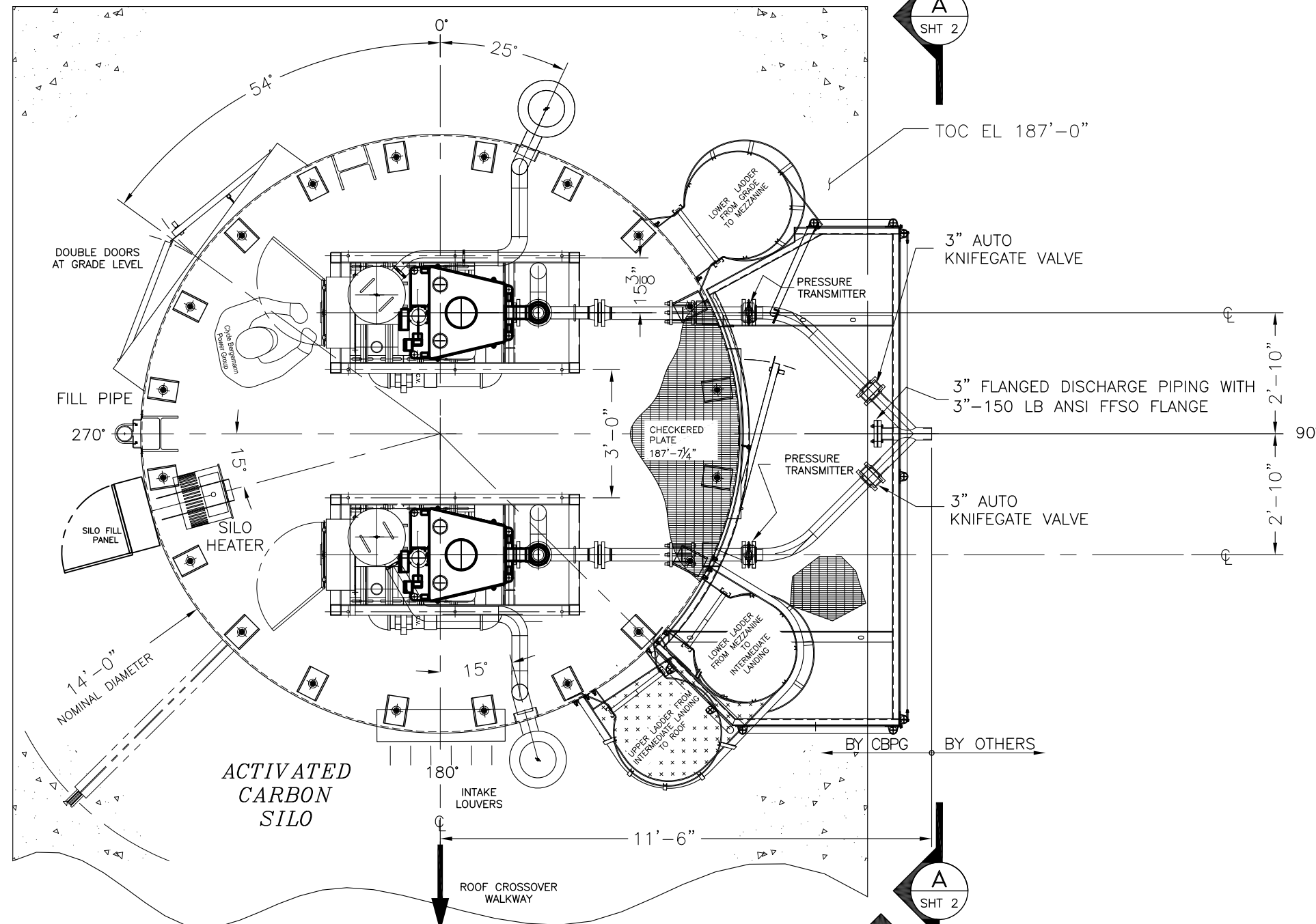
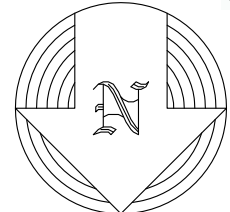
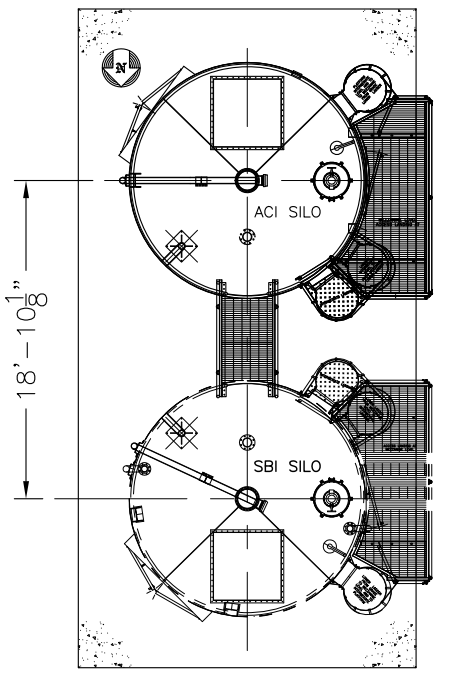


metso **APPROVED**
 This review does not supersede requirements of purchase order, design drawings, specifications, codes or regulations. The contractor / supplier is not relieved from responsibility for errors or omission.

REVIEWED
 By Greg Holleman at 4:25 pm, Jul 03, 2012



SUPPORT STAND ANCHOR BOLT PLAN



ACI & SBI SILO KEY PLAN (NTS)

SILO GRADE LEVEL FLOOR PLAN
 AT ELEV. 187'-0"

TO SODIUM BICARBONATE SILO
 REF. DWG. NO. D1100 SHT. 1

PLAN VIEW
 GRADE LEVEL

METSO DOC. ID# P00104088

CERTIFIED
 For: METSO POWER INC.
 P.O. No.: 40034B-1
 By: R. LE GOFF
 Date: 6/14/12

		METSO POWER METSO PROJECT 190022 GREC GAINESVILLE, FLORIDA	
7380 Coca-Cola Drive Baltimore, MD 21076 USA		BIOMASS GENERATING FACILITY ACTIVATED CARBON INJECTION SILO GENERAL ARRANGEMENT - GRADE LEVEL PLAN	
DRAWN BH 03.27.12 CHECKED RLG 03.29.12 APPROVED ATC 03.29.12	TRM 06.14.12 RLG 03.30.12	CONTRACT NO. 440034B DWG. NO. D1200 SHT: 4 OF 5	SCALE: NONE REV. 1

REV.	ZONE	DESCRIPTION	APP'D	DATE
1	-	CHANGED DOOR ORIENTATION TO 45° & ADDED CERTIFIED STAMP PER CUSTOMER COMMENTS		
0	-	INITIAL ISSUE OF ADDED SHT 4		